

Fitting Instructions:
Bonneville, Bonneville T100, Thruxton & Scrambler
Dresser Rail / Sissy Bar / Grab Rail Kits

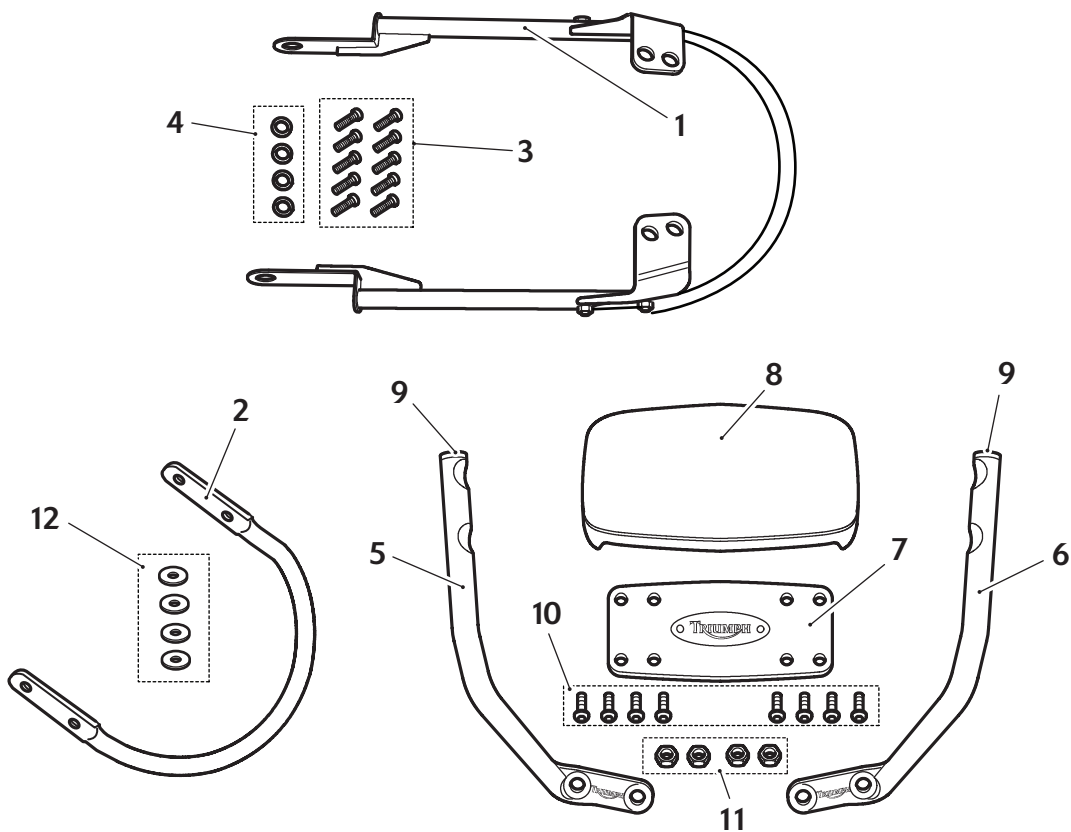


Warning

This accessory kit is designed for use on Triumph Bonneville, Bonneville T100, Thruxton and Scrambler motorcycles only and should not be fitted to any other Triumph model or to any other manufacturer's motorcycle. Fitting this accessory kit to any other Triumph model or to any other manufacturer's motorcycle will affect the performance, stability and handling of the motorcycle. This may affect the riders ability to control the motorcycle and could cause an accident.

Warning

Always have Triumph approved parts, accessories and conversions fitted by a trained technician of an authorised Triumph dealer. The fitment of parts, accessories and conversions by a technician who is not of an authorised Triumph dealer may affect the handling, stability or other aspects of the motorcycles operation which may result in loss of motorcycle control and an accident.



Parts Supplied:

- | | | | |
|-----------------------------|---------|----------------------------|---------|
| 1. Dresser rail | 1 off | 7. Backplate | 1** off |
| 2. Grab rail | 1* off | 8. Seat pad | 1** off |
| 3. Bolt, M8 x 20 mm | 10 off | 9. End caps | 2** off |
| 4. Spacers, M8 x 3 mm | 4 off | 10. Bolt, M6 x 12 mm | 8** off |
| 5. Sissy bar, RH..... | 1** off | 11. Nut, M6 | 4** off |
| 6. Sissy bar, LH..... | 1** off | 12. Washer, M8..... | 4 off |

* Grab rail kit only
 ** Sissy bar kit only

Warning

Throughout this operation, ensure that the motorcycle is stabilised and adequately supported on a paddock stand to prevent risk of injury from the motorcycle falling.

Warning

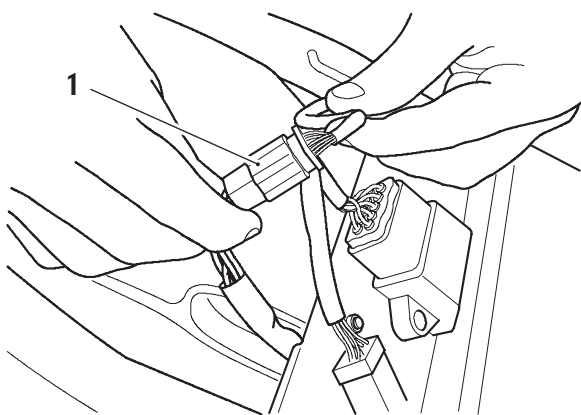
A torque wrench of known accurate calibration must be used when fitting this accessory kit. Failure to tighten any of the fasteners to the correct torque specification may result in loss of motorcycle control and an accident.

NOTE

- Completely read all the instructions before commencing the installation and set up of the accessory kit in order to become thoroughly familiar with the kit's features and the installation process.
- Install the dresser rail as described then install either the grab rail or the sissy bar (as applicable) as described under the relevant sub-heading.

Dresser rail installation

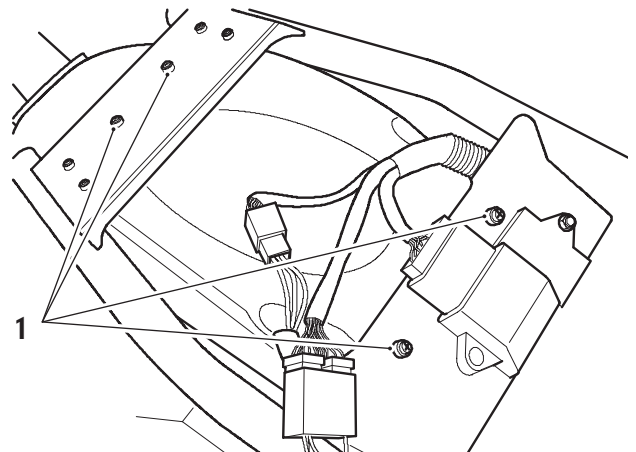
1. Undo and remove the two screws and flanged sleeves (if fitted) from the rear of the riders seat.
2. Remove the seat.
3. Disconnect the battery, negative (black) lead first.
4. Locate the rear light unit wiring connector and disconnect it from the main wiring harness.



1. Rear light unit wiring connector

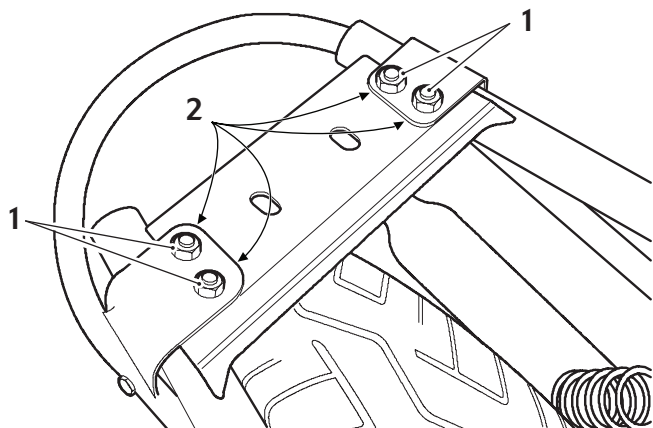
NOTE

- Take care not to damage the painted finish of the mudguard.
5. Undo the four screws securing the rear mudguard to the frame, then remove the mudguard assembly from the motorcycle.

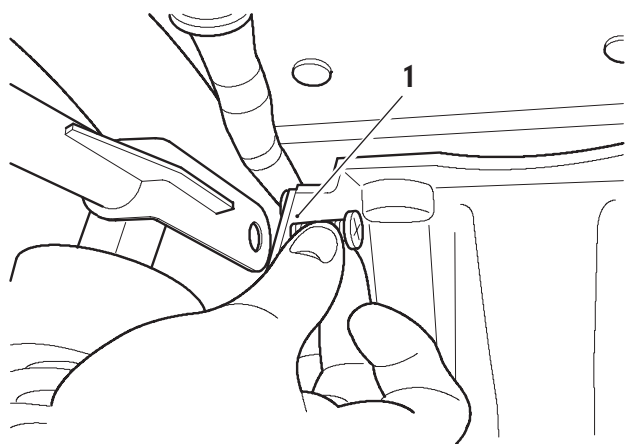


1. Rear mudguard fixings

- Position the dresser rail to the frame and secure with six of the supplied M8 x 20 mm bolts (four at the rear and one on either side at the front). Tighten the bolts to **18 Nm**. Scrambler only - Fit four M8 washers between the dresser rail and the rear mounting points.



- Rear mounting points
- M8 washer positions (Scrambler only)

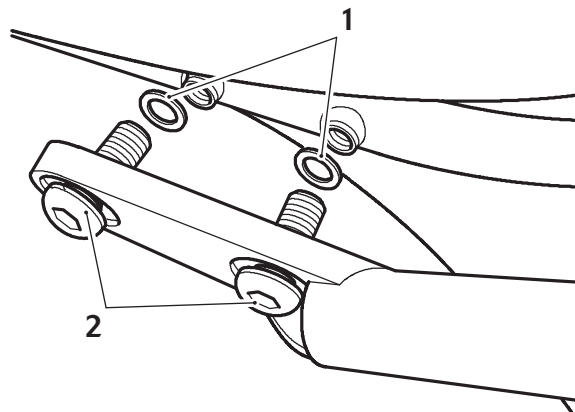


- Front mounting point (left-hand shown)

- Ensure the rear light wiring grommet is correctly located in the front edge of the mudguard then, taking care not to damage its painted finish, position the rear mudguard to the frame.
- Ensure the mudguard is correctly located to the rear of the airbox then secure with the original fixings tightening them to **9 Nm**.
- Ensure the wiring for the rear light unit is correctly routed then reconnect it to the main wiring harness connector.

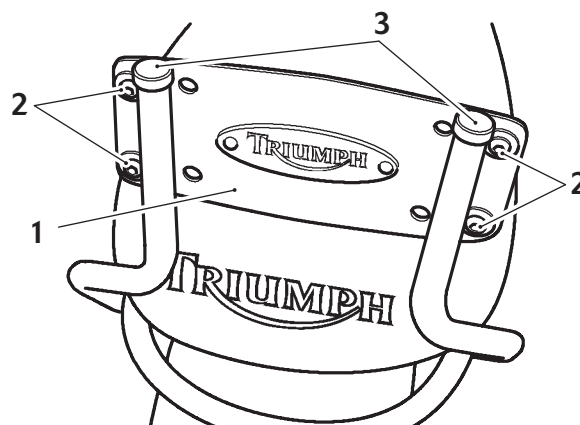
Sissy bar installation

- Using the M8 x 20 mm bolts and spacers, loosely secure each sissy bar to the dresser rail.



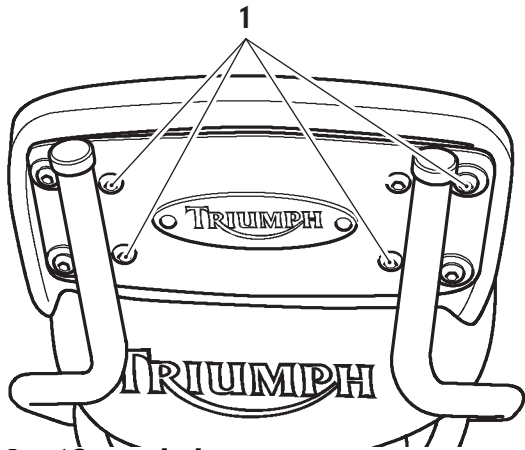
- Spacers
- M8 x 20 mm bolts

- Fit an end cap to each sissy bar.
- Using the supplied M6 x 12 mm bolts and nuts, secure the backplate to the sissy bars. Ensure the badge on the backplate is facing towards the rear of the motorcycle then tighten the fixings to **8 Nm**.



- Backplate
- M6 x 12 mm bolts and nuts
- End caps

- Secure the seat pad to the backplate using the remaining M6 x 12 mm bolts. Tighten the bolts to **3 Nm**.

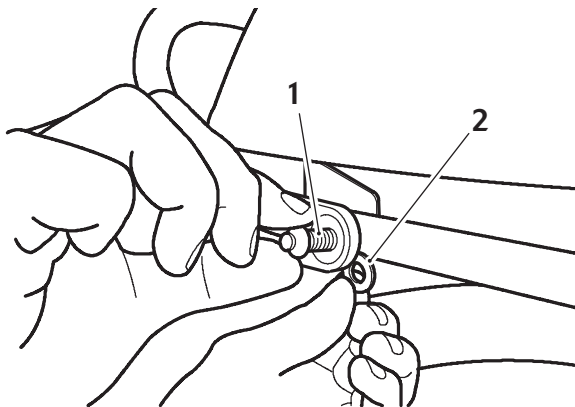


- M6 x 12 mm bolts.**

- Tighten the sissy bar to dresser rail bolts to **20 Nm**.
- Reconnect the battery, positive (red) lead first.
- Check the operation of the rear light unit and indicators. Rectify if necessary.
- Refit the seat using the original fixings. Locate the seat to the frame ensuring the locating tongue on the underside of the seat is positioned beneath the fuel tank bridge. Tighten the seat screws to **10 Nm**.

Grab rail installation

- Offer up the grab rail, positioning an M8 washer between the grab rail and dresser rail at each mounting point. Secure the grab rail with the remaining M8 x 20 mm bolts. Tighten the bolts to **18 Nm**.



- M8 x 20 mm bolt**
- Washer**

- Reconnect the battery, positive (red) lead first.
- Check the operation of the rear light unit and indicators. Rectify as necessary.
- Refit the seat using the original fixings. Locate the seat to the frame ensuring the locating tongue on the underside of the seat is positioned beneath the fuel tank bridge. Tighten the seat screws to **10 Nm**.

Warning

After fitting this accessory kit the motorcycle will exhibit new handling characteristics. Operate the motorcycle in a safe area free from traffic to gain familiarity with any new handling characteristics. Operation of the motorcycle when not familiar with any new handling characteristics may result in loss of motorcycle control and an accident.

Warning

If, after fitment of the accessory kit, there is any doubt as to any aspect of the performance of the motorcycle, contact an authorised Triumph dealer and do not ride the motorcycle until the authorised dealer has declared it fit for use. Riding a motorcycle when there is any doubt as to any aspect of the performance of the motorcycle may result in loss of control of the motorcycle leading to an accident.